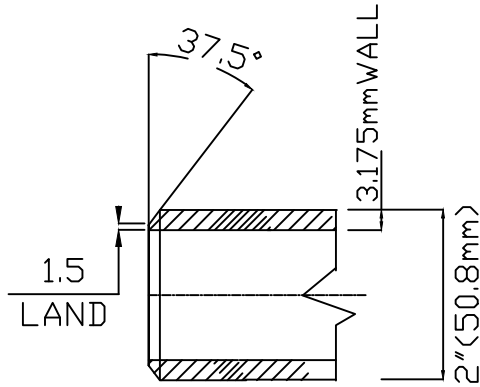
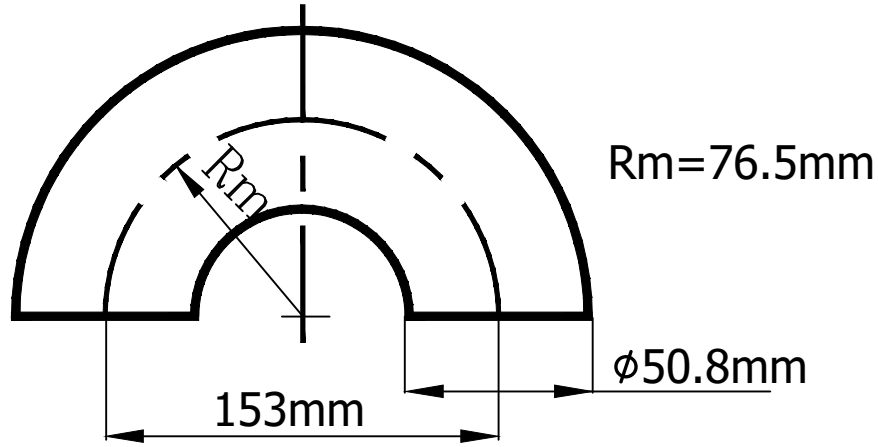


180° RETURN BENDS



END PREP

QUANTITY=2136Pcs
(SPARE=Addtional 100Pcs)

RETURN BEND TUBES

OUTSIDE DIAMETER	2" (50.8 mm)
THICKNESS	0.125" (MW) (3.175 mm)
MATERIAL	St 35.8I(Seamless)

TOLERANCES

- 1- WALL THICKNESS NOT LESS THAN 2.6mm AFTER BENDING.
- 2- OVALITY < 10%
- 3- CENTER-TO CENTER (153mm) < +/-1mm
- 4- BACK-TO-FACE < +/- 1.5mm

180° RETURN BEND DETAILS

COLOUR	PEN WIDTH
2	0.15
3	0.3
7	0.4
11	0.15
40	0.25
75	0.5
120	0.3
140	0.25
142	0.15
241	0.25

Hazırlayan (Prepared By)	O.KAYA	Ölçek (Scale)	Tarih (Date)	Resim No: (Drawing No:)	Rev.
Çizen (Drawn By)		NTS	02-10-2025	SHEET 1 OF 1	0
Kontrol (Checked By)					
Tasdik (Approved By)					